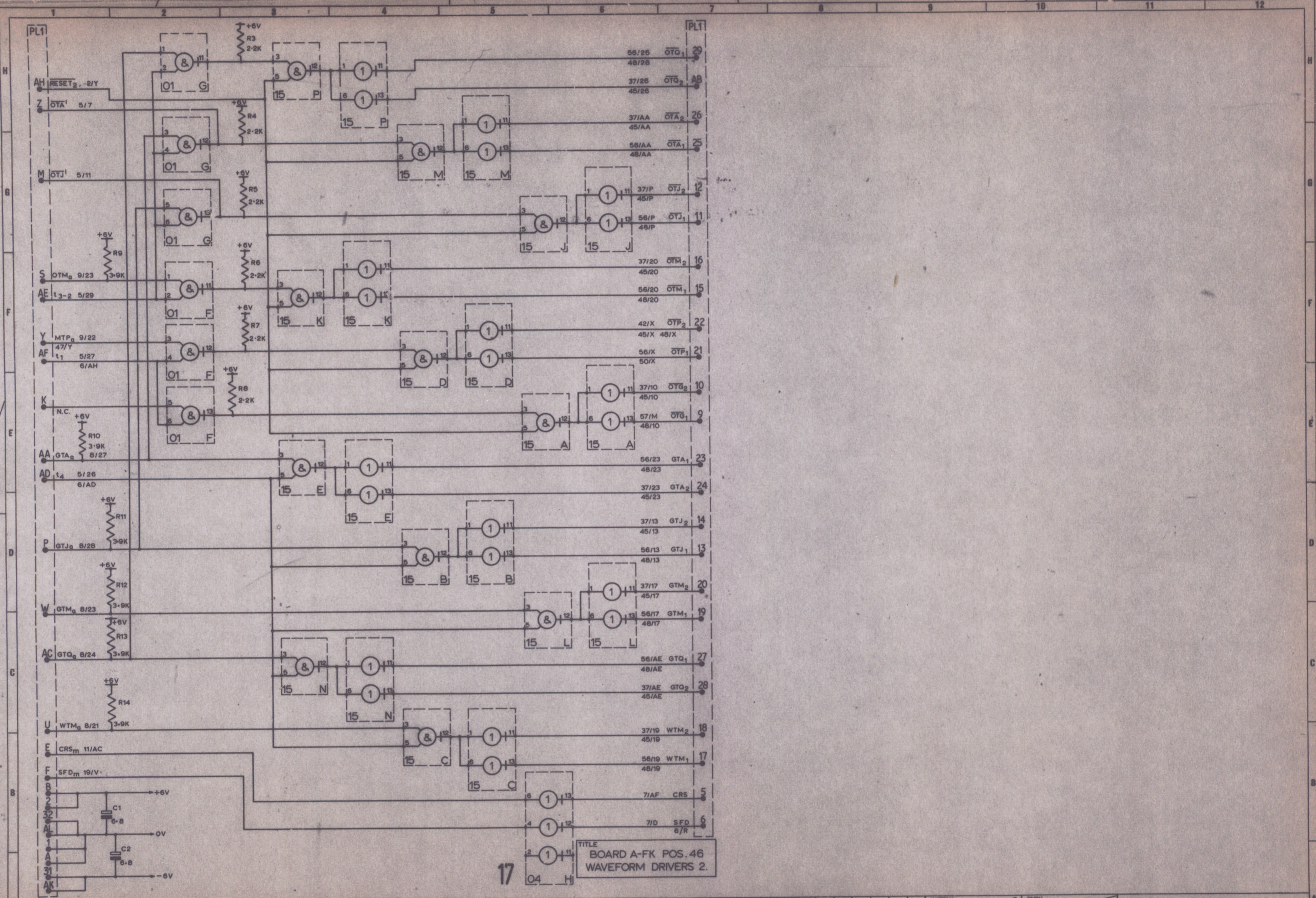


USED ON
4028



TITLE
BOARD A-FK POS. 46
WAVEFORM DRIVERS 2.

LATEST MI INCORPORATED: MI 2880 2998

ISSUE No.	5	MATERIAL	FINISH	ELLIOTT BROTHERS (LONDON) LTD
ALTM. No.	1740	TOLERANCES DECIMAL 2: FRACTIONAL 2: ANGULAR DIMENSIONS 2: UNLESS OTHERWISE STATED		TITLE BOARD A-FK POS. 46 WAVEFORM DRIVERS 2
DATE	19.6.66	SCALE		DRAWING No. 322D5237
INITIALS	S.S.	DRAWN D.D.		CHECKED S.H.P.
PARTS LIST No.		APPROVED S.H.P.		DATE 7-1-66